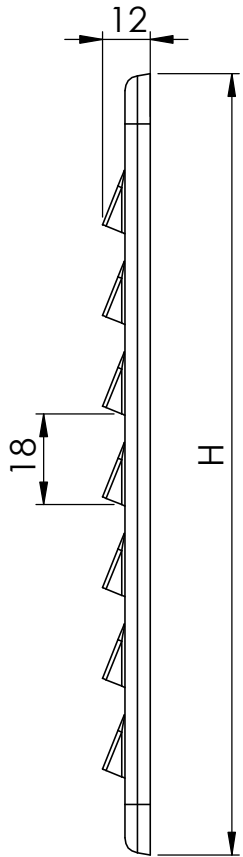
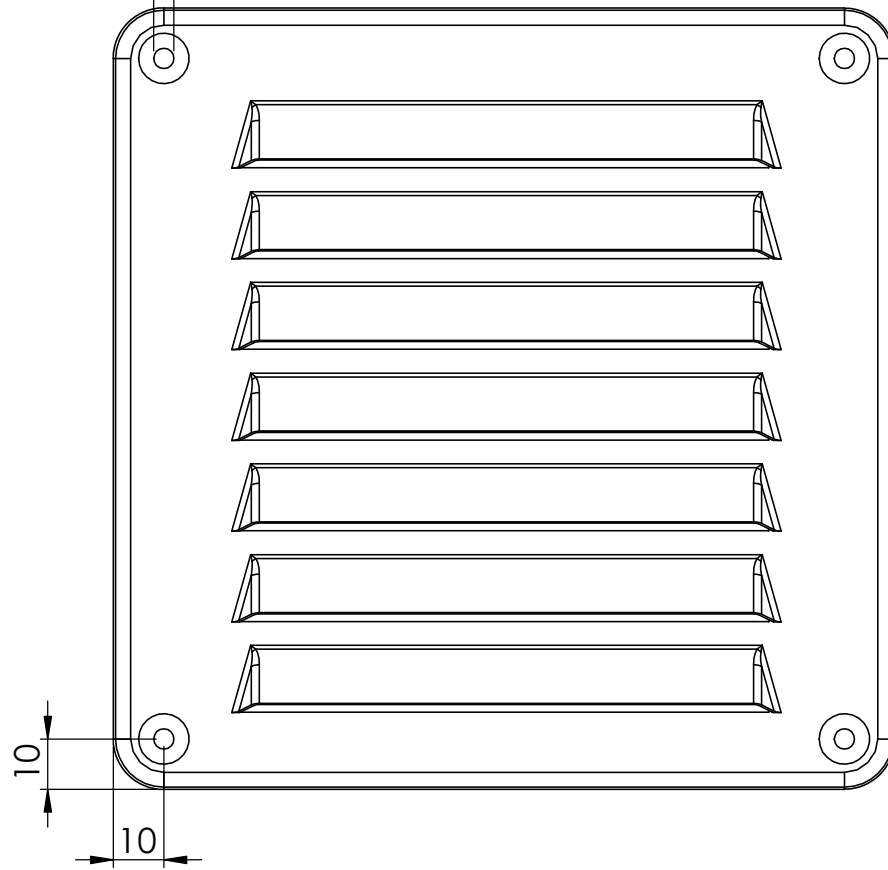


Side-intersection

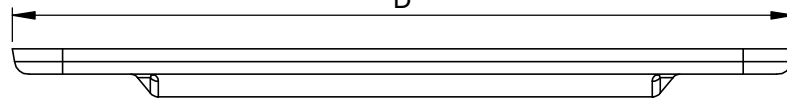


<MOD-DIAM>4



Top-view

B



Fixation

